

INSTRUCTION MANUAL
MANUEL D'INSTRUCTION
MANUAL DE INSTRUCCIONES

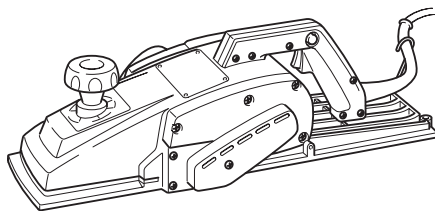


Power Planer

Rabot

Cepillo

1806B



DOUBLE INSULATION
DOUBLE ISOLATION
DOBLE AISLAMIENTO

IMPORTANT: Read Before Using.
IMPORTANT : Lire avant usage.
IMPORTANTE: Lea antes de usar.

SPECIFICATIONS

Model	1806B
Planing width	170 mm (6-3/4")
Planing depth	2 mm (1/16")
No load speed (RPM)	15,000 /min
Overall length	529 mm (20-3/4")
Net weight	9.0 kg (19.8 lbs)

- Due to our continuing program of research and development, the specifications herein are subject to change without notice.
- Specifications may differ from country to country.
- Weight according to EPTA-Procedure 01/2003

General Power Tool Safety Warnings

⚠WARNING Read all safety warnings and all instructions. Failure to follow the warnings and instructions may result in electric shock, fire and/or serious injury.

Save all warnings and instructions for future reference.

The term "power tool" in the warnings refers to your mains-operated (corded) power tool or battery-operated (cordless) power tool.

Work area safety

1. **Keep work area clean and well lit.** Cluttered or dark areas invite accidents.
2. **Do not operate power tools in explosive atmospheres, such as in the presence of flammable liquids, gases or dust.** Power tools create sparks which may ignite the dust or fumes.
3. **Keep children and bystanders away while operating a power tool.** Distractions can cause you to lose control.

Electrical safety

4. **Power tool plugs must match the outlet. Never modify the plug in any way. Do not use any adapter plugs with earthed (grounded) power tools.** Unmodified plugs and matching outlets will reduce risk of electric shock.
5. **Avoid body contact with earthed or grounded surfaces such as pipes, radiators, ranges and refrigerators.** There is an increased risk of electric shock if your body is earthed or grounded.
6. **Do not expose power tools to rain or wet conditions.** Water entering a power tool will increase the risk of electric shock.
7. **Do not abuse the cord. Never use the cord for carrying, pulling or unplugging the power tool. Keep cord away from heat, oil, sharp edges or moving parts.** Damaged or entangled cords increase the risk of electric shock.
8. **When operating a power tool outdoors, use an extension cord suitable for outdoor use.** Use of a cord suitable for outdoor use reduces the risk of electric shock.
9. **If operating a power tool in a damp location is unavoidable, use a ground fault circuit interrupter (GFCI) protected supply.** Use of an GFCI reduces the risk of electric shock.

Personal safety

10. **Stay alert, watch what you are doing and use common sense when operating a power tool. Do not use a power tool while you are tired or under the influence of drugs, alcohol or medication.** A moment of inattention while operating power tools may result in serious personal injury.
 11. **Use personal protective equipment. Always wear eye protection.** Protective equipment such as dust mask, non-skid safety shoes, hard hat, or hearing protection used for appropriate conditions will reduce personal injuries.
 12. **Prevent unintentional starting. Ensure the switch is in the off-position before connecting to power source and/or battery pack, picking up or carrying the tool.** Carrying power tools with your finger on the switch or energising power tools that have the switch on invites accidents.
 13. **Remove any adjusting key or wrench before turning the power tool on.** A wrench or a key left attached to a rotating part of the power tool may result in personal injury.
 14. **Do not overreach. Keep proper footing and balance at all times.** This enables better control of the power tool in unexpected situations.
 15. **Dress properly. Do not wear loose clothing or jewellery. Keep your hair, clothing, and gloves away from moving parts.** Loose clothes, jewellery or long hair can be caught in moving parts.
 16. **If devices are provided for the connection of dust extraction and collection facilities, ensure these are connected and properly used.** Use of dust collection can reduce dust-related hazards.
- #### Power tool use and care
17. **Do not force the power tool. Use the correct power tool for your application.** The correct power tool will do the job better and safer at the rate for which it was designed.
 18. **Do not use the power tool if the switch does not turn it on and off.** Any power tool that cannot be controlled with the switch is dangerous and must be repaired.
 19. **Disconnect the plug from the power source and/or the battery pack from the power tool before making any adjustments, changing accessories, or storing power tools.** Such preventive safety measures reduce the risk of starting the power tool accidentally.

20. Store idle power tools out of the reach of children and do not allow persons unfamiliar with the power tool or these instructions to operate the power tool. Power tools are dangerous in the hands of untrained users.
21. **Maintain power tools. Check for misalignment or binding of moving parts, breakage of parts and any other condition that may affect the power tool's operation. If damaged, have the power tool repaired before use.** Many accidents are caused by poorly maintained power tools.
22. **Keep cutting tools sharp and clean.** Properly maintained cutting tools with sharp cutting edges are less likely to bind and are easier to control.
23. **Use the power tool, accessories and tool bits etc. in accordance with these instructions, taking into account the working conditions and the work to be performed.** Use of the power tool for operations different from those intended could result in a hazardous situation.

Service

24. **Have your power tool serviced by a qualified repair person using only identical replacement parts.** This will ensure that the safety of the power tool is maintained.
25. **Follow instruction for lubricating and changing accessories.**
26. **Keep handles dry, clean and free from oil and grease.**

USE PROPER EXTENSION CORD. Make sure your extension cord is in good condition. When using an extension cord, be sure to use one heavy enough to carry the current your product will draw. An undersized cord will cause a drop in line voltage resulting in loss of power and overheating. Table 1 shows the correct size to use depending on cord length and nameplate ampere rating. If in doubt, use the next heavier gage. The smaller the gage number, the heavier the cord.

Table 1: Minimum gage for cord

Ampere Rating		Volts	Total length of cord in feet			
		120V	25 ft.	50 ft.	100 ft.	150 ft.
		220V - 240V	50 ft.	100 ft.	200 ft.	300 ft.
More Than	Not More Than	AWG				
0	6	/	18	16	16	14
6	10		18	16	14	12
10	12		16	16	14	12
12	16		14	12	Not Recommended	

PLANER SAFETY WARNINGS

1. **Wait for the cutter to stop before setting the tool down.** An exposed rotating cutter may engage the surface leading to possible loss of control and serious injury.
2. **Hold the power tool by insulated gripping surfaces only, because the cutter may contact its own cord.** Cutting a "live" wire may make exposed metal parts of the power tool "live" and could give the operator an electric shock.
3. **Use clamps or another practical way to secure and support the workpiece to a stable platform.** Holding the work by your hand or against the body leaves it unstable and may lead to loss of control.
4. **Rags, cloth, cord, string and the like should never be left around the work area.**
5. **Avoid cutting nails. Inspect for and remove all nails from the workpiece before operation.**
6. **Use only sharp blades. Handle the blades very carefully.**
7. **Be sure the blade installation bolts are securely tightened before operation.**
8. **Hold the tool firmly with both hands.**
9. **Keep hands away from rotating parts.**
10. **Before using the tool on an actual workpiece, let it run for a while. Watch for vibration or wobbling that could indicate poor installation or a poorly balanced blade.**



11. **Make sure the blade is not contacting the workpiece before the switch is turned on.**
12. **Wait until the blade attains full speed before cutting.**
13. **Always switch off and wait for the blades to come to a complete stop before any adjusting.**
14. **Never stick your finger into the chip chute. Chute may jam when cutting damp wood. Clean out chips with a stick.**
15. **Do not leave the tool running. Operate the tool only when hand-held.**
16. **Always change both blades or covers on the drum, otherwise the resulting imbalance will cause vibration and shorten tool life.**
17. **Use only Makita blades specified in this manual.**
18. **Always use the correct dust mask/respirator for the material and application you are working with.**

SAVE THESE INSTRUCTIONS.

⚠WARNING: DO NOT let comfort or familiarity with product (gained from repeated use) replace strict adherence to safety rules for the subject product. **MISUSE** or failure to follow the safety rules stated in this instruction manual may cause serious personal injury.

Symbols

The followings show the symbols used for tool.

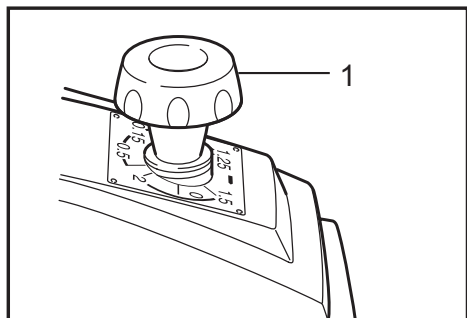
V	volts
A	amperes
Hz	hertz
	alternating current
n_0	no load speed
	Class II Construction
... /min r/min	revolutions or reciprocation per minute

FUNCTIONAL DESCRIPTION

⚠ CAUTION:

- Always be sure that the tool is switched off and unplugged before adjusting or checking function on the tool.

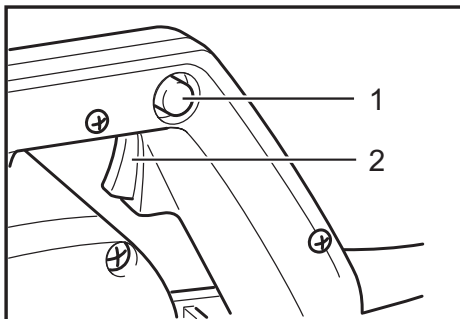
Adjusting depth of cut



► 1. Knob

Depth of cut may be adjusted by simply turning the knob on the front of the tool.

Switch action



► 1. Lock button 2. Switch trigger

⚠ CAUTION:

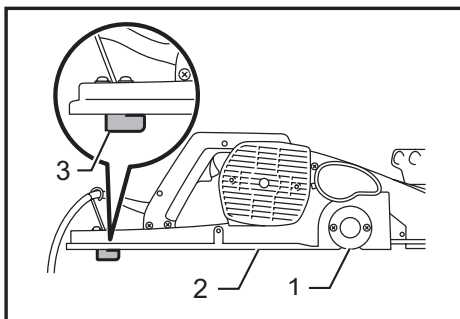
- Before plugging in the tool, always check to see that the switch trigger actuates properly and returns to the "OFF" position when released.
- Switch can be locked in "ON" position for ease of operator comfort during extended use. Apply caution when locking tool in "ON" position and maintain firm grasp on tool.

To start the tool, simply pull the switch trigger. Release the switch trigger to stop.

For continuous operation, pull the switch trigger and then push in the lock button.

To stop the tool from the locked position, pull the switch trigger fully, then release it.

Foot



► 1. Planer blade 2. Rear base 3. Foot

After a cutting operation, raise the back side of the tool and a foot comes under the level of the rear base. This prevents the tool blades from being damaged.

ASSEMBLY

⚠ CAUTION:

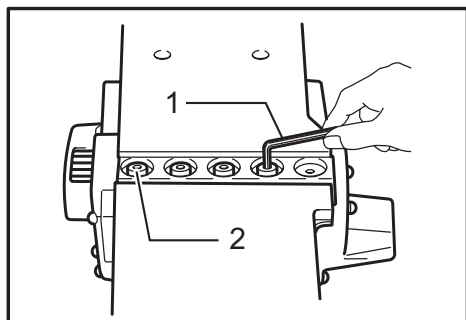
- Always be sure that the tool is switched off and unplugged before carrying out any work on the tool.

Removing or installing planer blades

⚠ CAUTION:

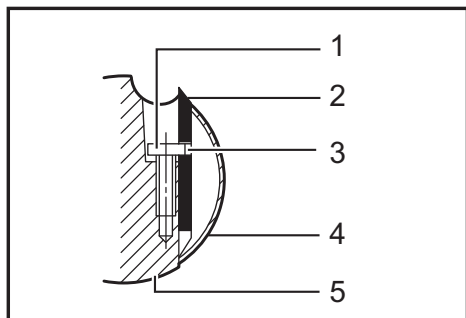
- Tighten the blade installation bolts carefully when attaching the blades to the tool. A loose installation bolt can be dangerous. Always check to see they are tightened securely.
- Handle the blades very carefully. Use gloves or rags to protect your fingers or hands when removing or installing the blades.
- Use only the Makita wrench provided to remove or install the blades. Failure to do so may result in overtightening or insufficient tightening of the installation bolts. This could cause an injury.

To remove the blades on the drum, unscrew the five installation bolts with the hex wrench. The drum cover comes off together with the blades.



► 1. Hex wrench 2. Bolt

To install the blades, first clean out all chips or foreign matter adhering to the drum or blades. Use blades of the same dimensions and weight, or drum oscillation/vibration will result, causing poor planing action and, eventually, tool breakdown.

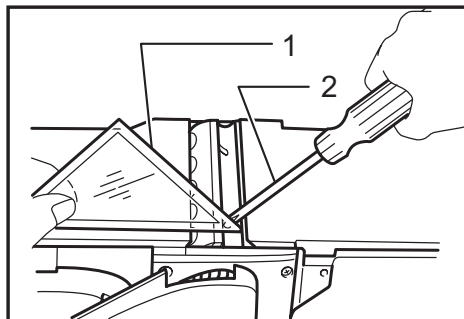


► 1. Adjusting screw 2. Planer blade 3. Notch in the blade 4. Drum cover 5. Drum

There are two adjusting screws for each blade. When installing the blade, the notch in the blade should fit over the head of the adjusting screw. Then fit on the drum cover and secure all the installation bolts only finger-tight.

Turn the drum until the blade edge is right in the middle between the front and rear bases.

Place the triangular rule flat on the rear base and run it out over and across the blade edge. Turn the two adjusting screws to adjust the blade protrusion. The blade setting should be made so that the protrusion will be uniform all the way across. Thus the triangular rule should be flush with the entire width of the blade edge. After adjusting both blades, tighten all the installation bolts evenly and alternately with the wrench.



► 1. Triangular rule 2. Screwdriver

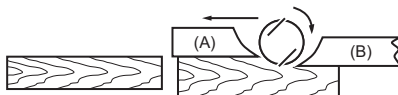
After tightening the bolts, secure the adjusting screws fully.

For the correct planer blade setting

Your planing surface will end up rough and uneven, unless the blade is set properly and securely. The blade must be mounted so that the cutting edge is absolutely level, that is, parallel to the surface of the rear base. Below are some examples of proper and improper settings.

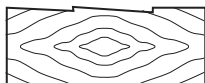
- (A) Front base (Movable shoe)
- (B) Rear base (Stationary shoe)

Correct setting



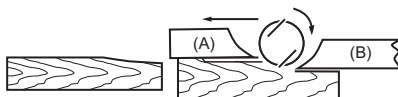
Although this side view cannot show it, the edges of the blades run perfectly parallel to the rear base surface.

Nicks in surface



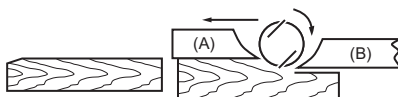
Cause: One or both blades fails to have edge parallel to rear base line.

Gouging at start



Cause: One or both blade edges fails to protrude enough in relation to rear base line.

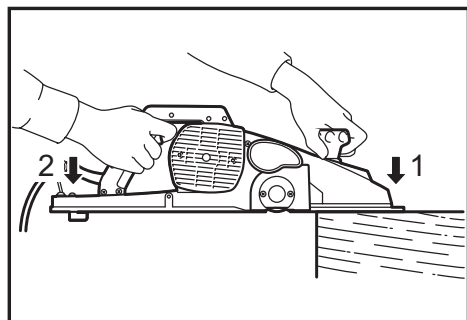
Gouging at end



Cause: One or both blade edges protrudes too far in relation to rear base line.

OPERATION

Planing operation



► 1. Start 2. End

First, rest the tool front base flat upon the workpiece surface without the blades making any contact. Switch on and wait until the blades attain full speed. Then move the tool gently forward. Apply pressure on the front of tool at the start of planing, and at the back at the end of planing. Planing will be easier if you incline the workpiece in stationary fashion, so that you can plane somewhat downhill. The speed and depth of cut determine the kind of finish. The power planer keeps cutting at a speed that will not result in jamming by chips. For rough cutting, the depth of

cut can be increased, while for a good finish you should reduce the depth of cut and advance the tool more slowly.

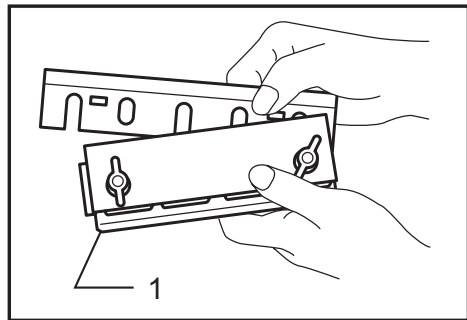
MAINTENANCE

⚠ CAUTION:

- Always be sure that the tool is switched off and unplugged before attempting to perform inspection or maintenance.
- Never use gasoline, benzine, thinner, alcohol or the like. Discoloration, deformation or cracks may result.

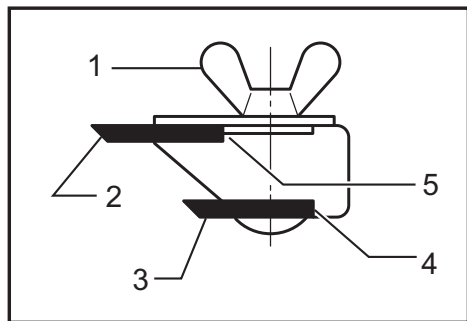
Sharpening the planer blades

Always keep your blades sharp for the best performance possible. Use the sharpening holder to remove nicks and produce a fine edge.



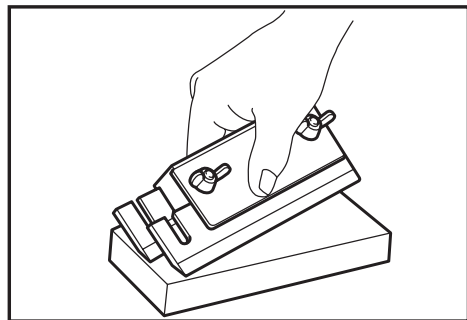
► 1. Sharpening holder

First, loosen the two wing nuts on the holder and insert the blades (A) and (B), so that they contact the sides (C) and (D). Then tighten the wing nuts.

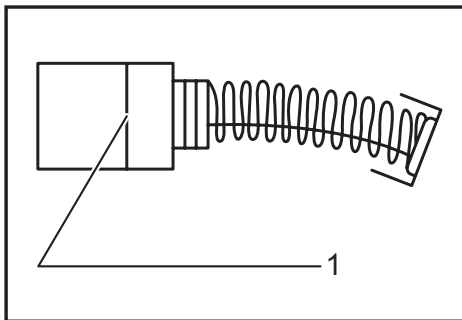


► 1. Wing nut 2. Blade (A) 3. Blade (B) 4. Side (D)
5. Side (C)

Immerse the dressing stone in water for 2 or 3 minutes before sharpening. Hold the holder so that the blades both contact the dressing stone for simultaneous sharpening at the same angle.

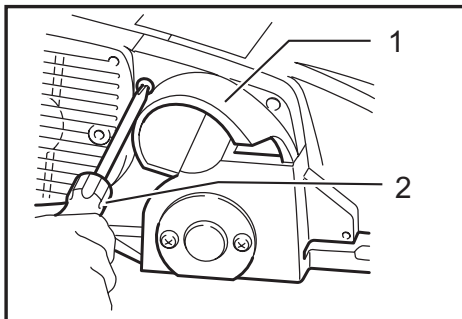


Replacing carbon brushes



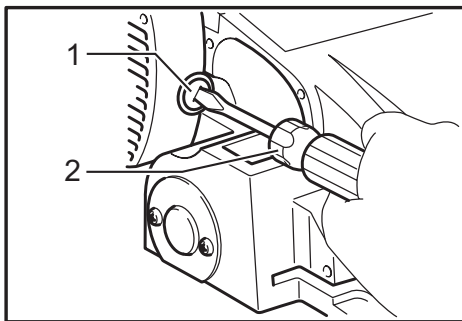
► 1. Limit mark

Remove and check the carbon brushes regularly. Replace when they wear down to the limit mark. Keep the carbon brushes clean and free to slip in the holders. Both carbon brushes should be replaced at the same time. Use only identical carbon brushes. Use a screwdriver to remove the chip cover.



► 1. Chip cover or Nozzle 2. Screwdriver

Use a screwdriver to remove the brush holder caps. Take out the worn carbon brushes, insert the new ones and secure the brush holder caps.



► 1. Brush holder cap 2. Screwdriver

To maintain product SAFETY and RELIABILITY, repairs, any other maintenance or adjustment should be performed by Makita Authorized or Factory Service Centers, always using Makita replacement parts.

OPTIONAL ACCESSORIES

⚠ CAUTION:

- These accessories or attachments are recommended for use with your Makita tool specified in this manual. The use of any other accessories or attachments might present a risk of injury to persons. Only use accessory or attachment for its stated purpose.

If you need any assistance for more details regarding these accessories, ask your local Makita Service Center.

- High-speed steel Planer blade
- Sharpening holder assembly
- Edge fence (Guide rule) set
- Dressing stone
- Triangular rule
- Hex wrench
- Wooden carrying case

NOTE:

- Some items in the list may be included in the tool package as standard accessories. They may differ from country to country.

MAKITA LIMITED WARRANTY

Please refer to the annexed warranty sheet for the most current warranty terms applicable to this product. If annexed warranty sheet is not available, refer to the warranty details set forth at below website for your respective country.

United States of America: www.makitatools.com

Canada: www.makita.ca

Other countries: www.makita.com

SPECIFICATIONS

Modèle	1806B
Largeur de rabotage	170 mm (6-3/4")
Profondeur de rabotage	2 mm (1/16")
Vitesse à vide (T/MIN)	15 000 /min
Longueur totale	529 mm (20-3/4")
Poids net	9,0 kg (19,8 lbs)

- Étant donné l'évolution constante de notre programme de recherche et de développement, les spécifications contenues dans ce manuel sont sujettes à modification sans préavis.
- Les spécifications peuvent varier suivant les pays.
- Poids conforme à la procédure EPTA du 01/2003

Consignes de sécurité générales pour outils électriques

⚠ MISE EN GARDE Veuillez lire toutes les mises en garde de sécurité et toutes les instructions. L'ignorance des mises en garde et des instructions comporte un risque de choc électrique, d'incendie et/ou de blessure grave.

Conservez toutes les mises en garde et instructions pour référence future.

Le terme « outil électrique » qui figure dans les avertissements fait référence à un outil électrique branché sur une prise de courant (par un cordon d'alimentation) ou alimenté par batterie (sans fil).

Sécurité de la zone de travail

1. **Maintenez la zone de travail propre et bien éclairée.** Les zones de travail encombrées ou sombres ouvrent grande la porte aux accidents.
2. **N'utilisez pas les outils électriques dans les atmosphères explosives, par exemple en présence de liquides, gaz ou poussières inflammables.** Les outils électriques produisent des étincelles au contact desquelles la poussière ou les vapeurs peuvent s'enflammer.
3. **Assurez-vous qu'aucun enfant ou curieux ne s'approche pendant que vous utilisez un outil électrique.** Vous risquez de perdre la maîtrise de l'outil si votre attention est détournée.

Sécurité en matière d'électricité

4. **Les fiches d'outil électrique sont conçues pour s'adapter parfaitement aux prises de courant. Ne modifiez jamais la fiche de quelque façon que ce soit. N'utilisez aucun adaptateur de fiche sur les outils électriques avec mise à la terre.** En ne modifiant pas les fiches et en les insérant dans des prises de courant pour lesquelles elles ont été conçues vous réduirez les risques de choc électrique.
5. **Évitez tout contact corporel avec les surfaces mises à la terre, telles que les tuyaux, radiateurs, cuisinières et réfrigérateurs.** Le risque de choc électrique est plus élevé si votre corps se trouve mis à la terre.
6. **N'exposez pas les outils électriques à la pluie ou à l'eau.** La présence d'eau dans un outil électrique augmente le risque de choc électrique.

7. **Ne maltraitez pas le cordon. N'utilisez jamais le cordon pour transporter, tirer ou débrancher l'outil électrique. Maintenez le cordon à l'écart des sources de chaleur, de l'huile, des objets à bords tranchants et des pièces en mouvement.** Le risque de choc électrique est plus élevé lorsque les cordons sont endommagés ou enchevêtrés.
8. **Lorsque vous utilisez un outil électrique à l'extérieur, utilisez un cordon prolongateur prévu à cette fin.** Les risques de choc électrique sont moindres lorsqu'un cordon conçu pour l'extérieur est utilisé.
9. **Si vous devez utiliser un outil électrique dans un endroit humide, utilisez une source d'alimentation protégée par un disjoncteur de fuite à la terre.** L'utilisation d'un disjoncteur de fuite à la terre réduit le risque de choc électrique.

Sécurité personnelle

10. **Restez alerte, attentif à vos mouvements et faites preuve de bon sens lorsque vous utilisez un outil électrique. Évitez d'utiliser un outil électrique si vous êtes fatigué ou si vous avez pris une drogue, de l'alcool ou un médicament.** Un moment d'inattention pendant l'utilisation d'un outil électrique peut entraîner une grave blessure.
11. **Portez des dispositifs de protection personnelle. Portez toujours un protecteur pour la vue.** Les risques de blessure seront moins élevés si vous utilisez des dispositifs de protection tels qu'un masque anti-poussières, des chaussures à semelle antidérapante, une coiffure résistante ou une protection d'oreilles.
12. **Évitez les démarrages accidentels. Assurez-vous que l'interrupteur soit en position d'arrêt avant de brancher l'outil à la prise électrique et/ou au bloc-piles, avant de prendre ou de transporter l'outil.** Vous ouvrez la porte aux accidents si vous transportez les outils électriques avec le doigt sur l'interrupteur ou si vous les branchez alors que l'interrupteur est en position de marche.
13. **Retirez toute clé de réglage ou de serrage avant de mettre l'outil sous tension.** Toute clé laissée en place sur une pièce rotative de l'outil électrique peut entraîner une blessure.
14. **Maintenez une bonne position. Assurez-vous d'une bonne prise au sol et d'une bonne position d'équilibre en tout temps.** Cela vous permettra d'avoir une meilleure maîtrise de l'outil dans les situations imprévues.

15. **Portez des vêtements adéquats. Ne portez ni vêtements amples ni bijoux. Vous devez maintenir cheveux, vêtements et gants à l'écart des pièces en mouvement.** Les pièces en mouvement peuvent happer les vêtements amples, les bijoux et les cheveux longs.
 16. **Si des accessoires sont fournis pour raccorder un appareil d'aspiration et de collecte de la poussière, assurez-vous qu'ils sont correctement raccordés et qu'ils sont utilisés de manière adéquate.** L'utilisation d'un appareil d'aspiration permet de réduire les risques liés à la présence de poussière dans l'air.
- Utilisation et entretien des outils électriques**
17. **Ne forcez pas l'outil électrique. Utilisez l'outil électrique adéquat suivant le type de travail à effectuer.** Si vous utilisez l'outil électrique adéquat et respectez le régime pour lequel il a été conçu, il effectuera un travail de meilleure qualité et de façon plus sécuritaire.
 18. **N'utilisez pas l'outil électrique s'il n'est pas possible de mettre sa gâchette en position de marche et d'arrêt.** Un outil électrique dont l'interrupteur est défectueux représente un danger et doit être réparé.
 19. **Débranchez la fiche de la source d'alimentation et/ou retirez le bloc-piles de l'outil électrique avant d'effectuer tout réglage, de changer un accessoire ou de ranger l'outil électrique.** De telles mesures préventives réduisent les risques de démarrage accidentel de l'outil électrique.
 20. **Après l'utilisation d'un outil électrique, rangez-le hors de portée des enfants et ne laissez aucune personne l'utiliser si elle n'est pas familiarisée avec l'outil électrique ou les présentes instructions d'utilisation.** Les outils électriques représentent un danger entre les mains de personnes qui n'en connaissent pas le mode d'utilisation.
 21. **Veillez à l'entretien des outils électriques. Assurez-vous que les pièces mobiles ne sont pas désalignées ou coincées, qu'aucune pièce n'est cassée et que l'outil électrique n'a subi aucun dommage affectant son bon fonctionnement. Le cas échéant, faites réparer l'outil électrique avant de l'utiliser.** De nombreux accidents sont causés par des outils électriques mal entretenus.
 22. **Maintenez les outils tranchants bien aiguisés et propres.** Un outil tranchant dont l'entretien est effectué correctement et dont les bords sont bien aiguisés risquera moins de se coincer et sera plus facile à maîtriser.
 23. **Utilisez l'outil électrique, ses accessoires, ses embouts, etc., en respectant les présentes instructions, en tenant compte des conditions de travail et du type de travail à effectuer.** L'utilisation d'un outil électrique à des fins autres que celles prévues peut entraîner une situation dangereuse.
- Réparation**
24. **Faites réparer votre outil électrique par un réparateur qualifié qui utilise des pièces de rechange identiques aux pièces d'origine.** Le maintien de la sûreté de l'outil électrique sera ainsi assuré.
 25. **Suivez les instructions de lubrification et de changement des accessoires.**
 26. **Maintenez les poignées de l'outil sèches, propres et exemptes d'huile ou de graisse.**
UTILISEZ UN CORDON PROLONGATEUR APPROPRIÉ. Assurez-vous que votre cordon prolongateur est en bonne condition. Lorsque vous utilisez un cordon prolongateur, assurez-vous qu'il est assez robuste pour transporter le courant exigé par le produit. Un cordon qui est trop petit entraînera une baisse dans la tension composée, ce qui causera une perte d'énergie et un surchauffage. Le tableau 1 indique la dimension de cordon à utiliser, en fonction de la longueur du cordon et de l'intensité nominale figurant sur la plaque signalétique. En cas de doute, utilisez un cordon plus robuste. Plus le numéro de calibre est bas, plus le cordon est robuste.

Tableau 1. Gabarit minimum du cordon

Intensité nominale		Volts	Longueur totale du cordon en pieds			
		120V	25 pi	50 pi	100 pi	150 pi
		220V - 240V	50 pi	100 pi	200 pi	300 pi
Plus de	Pas plus de	Calibre américain des fils				
0	6	/	18	16	16	14
6	10		18	16	14	12
10	12		16	16	14	12
12	16		14	12	Non recommandé	

CONSIGNES DE SÉCURITÉ POUR LA DÉGAUCHISSEUSE

1. **Attendez l'arrêt de l'outil tranchant avant de déposer l'outil.** S'il est en rotation, l'outil tranchant exposé pourrait pénétrer dans la surface de la pièce, ce qui comporte un risque de perte de maîtrise de l'outil et peut causer de graves blessures.
2. **Tenez l'outil électrique par ses surfaces de prise isolées, car le fer pourrait venir en contact avec son propre cordon.** Si un conducteur sous tension était coupé, les pièces métalliques à découvert de l'outil pourraient devenir sous tension et risqueraient de transmettre une décharge électrique à l'utilisateur.



3. Immobilisez le matériau sur une surface stable au moyen de brides ou de toute autre façon adéquate. Le fait de tenir la pièce avec la main ou contre votre corps offre une stabilité insuffisante et peut entraîner une perte de maîtrise de l'outil.
4. Ne laissez jamais de chiffons, linges, cordons, cordes et objets similaires dans la zone de travail.
5. Évitez les clous. Avant de travailler votre pièce, inspectez-la et retirez-en tous les clous.
6. N'utilisez que des fers bien affûtés. Manipulez les fers de façon très prudente.
7. Assurez-vous que les boulons de maintien des fers sont bien serrés avant d'utiliser l'outil.
8. Tenez l'outil fermement à deux mains.
9. Gardez les mains éloignées des pièces en rotation.
10. Avant d'utiliser l'outil sur la pièce, laissez-le tourner à vide un instant. Soyez attentif à toute vibration ou sautellement pouvant indiquer que la lame n'est pas bien installée ou est mal équilibrée.
11. Assurez-vous que la lame n'entre pas en contact avec la pièce avant de mettre l'outil sous tension.
12. Attendez que la lame atteigne sa pleine vitesse avant de procéder à la coupe.
13. Avant de procéder à tout travail de réglage, coupez toujours le contact de l'outil et attendez son arrêt complet.
14. N'insérez jamais les doigts dans l'orifice d'évacuation des copeaux. Il se peut qu'il se bouche lorsque vous coupez du bois humide. Retirez alors les copeaux avec un bout de bâton.
15. N'abandonnez pas l'outil alors qu'il tourne. Ne faites fonctionner l'outil qu'une fois que vous l'avez bien en main.
16. Changez toujours les deux fers ou contre-fers du bloc de coupe, en même temps, sinon cela entraînera un déséquilibre qui provoquera des vibrations et réduira la durée de service de l'outil.
17. N'utilisez que les fers Makita spécifiés dans le présent manuel d'instructions.
18. Utilisez toujours un masque antipoussières ou un masque filtrant approprié au matériau à travailler et à l'outil utilisé.

CONSERVEZ CE MODE D'EMPLOI.

⚠ MISE EN GARDE : NE VOUS LAISSEZ PAS tromper (au fil d'une utilisation répétée) par un sentiment d'aisance ou de familiarité avec le produit en négligeant les consignes de sécurité qui accompagnent le produit.
UNE UTILISATION INCORRECTE ou le non-respect des règles de sécurité énoncées dans le présent manuel d'instructions peut provoquer des blessures graves.

Symboles

Les symboles utilisés pour l'outil sont indiqués ci-dessous.

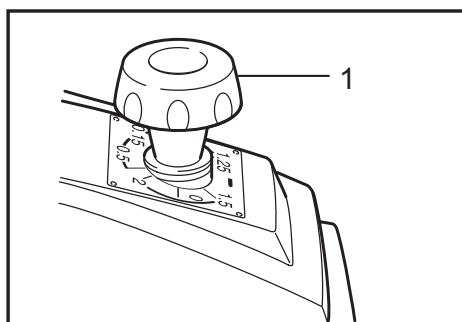
V	volts
A	ampères
Hz	hertz
	courant alternatif
n.	vitesse à vide
	construction, catégorie II
... /min r /min	tours ou alternances par minute

DESCRIPTION DU FONCTIONNEMENT

⚠ ATTENTION :

- Assurez-vous toujours que l'outil est hors tension et débranché avant de l'ajuster ou de vérifier son fonctionnement.

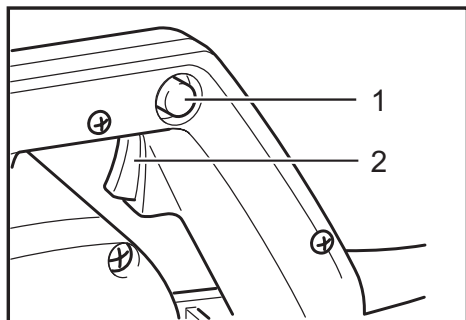
Réglage de la profondeur de coupe



► 1. Bouton

La profondeur de coupe peut se régler en tournant simplement le bouton situé sur le devant de l'outil.

Interrupteur



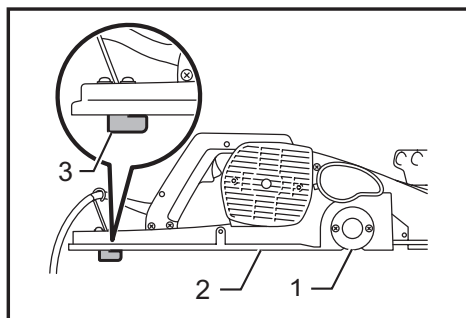
► 1. Bouton de verrouillage 2. Gâchette

⚠ ATTENTION :

- Avant de brancher l'outil, assurez-vous toujours que la gâchette fonctionne correctement et revient en position d'arrêt une fois relâchée.
- Pour rendre le travail de l'utilisateur plus confortable lors d'une utilisation prolongée, l'interrupteur peut être verrouillé en position de marche. Soyez prudent lorsque vous verrouillez l'outil en position de marche, et maintenez une poigne solide sur l'outil.

Pour faire démarrer l'outil, appuyez simplement sur la gâchette. Pour l'arrêter, relâchez la gâchette. Pour une utilisation continue, tirez sur la gâchette et appuyez sur le bouton de verrouillage. Pour arrêter l'outil alors qu'il est en position verrouillée, tirez à fond sur la gâchette puis relâchez-la.

Pied



► 1. Fer de rabot 2. Socle arrière 3. Pied

Après une opération de coupe, soulevez l'arrière de l'outil pour faire sortir le pied sous la semelle arrière. Cela évite d'abîmer les fers de l'outil.

ASSEMBLAGE

⚠ ATTENTION :

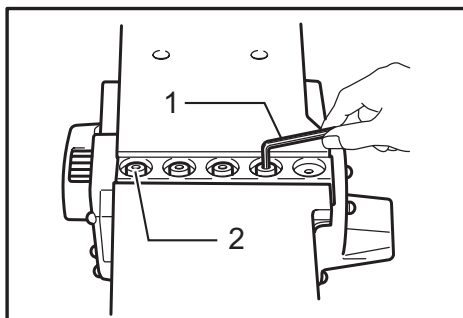
- Avant d'effectuer toute intervention sur l'outil, assurez-vous toujours qu'il est hors tension et débranché.

Retrait ou installation des fers de rabot

⚠ ATTENTION :

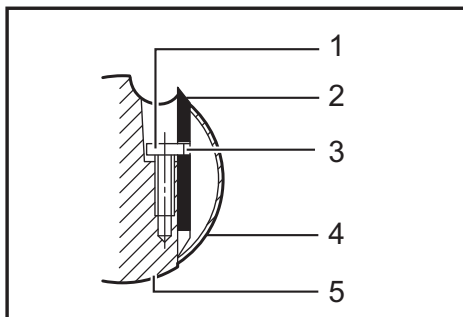
- Serrez soigneusement les boulons de maintien lorsque vous fixez les fers à l'outil. Un boulon mal serré représente un danger. Assurez-vous toujours qu'ils sont fermement serrés.
- Manipulez les fers de façon très prudente. Portez des gants ou utilisez un chiffon pour protéger vos doigts ou mains lors du retrait ou de l'installation des fers.
- Utilisez exclusivement la clé Makita fournie pour retirer ou installer les fers. Sinon, les boulons de maintien risquent d'être trop ou pas assez serrés. Cela comporte un risque de blessure.

Pour retirer les fers du bloc de coupe, dévissez les 5 boulons de maintien avec la clé hexagonale. Le contre-fer se détache avec les fers.



► 1. Clé hexagonale 2. Boulon

Pour installer les fers, commencez par enlever tous les copeaux et autres matières adhérent au bloc de coupe ou aux fers. Utilisez des fers de dimensions et de poids identiques, faute de quoi cela provoquera des oscillations/vibrations du bloc de coupe qui entraîneront un rabotage défectueux ou même une panne de l'outil.

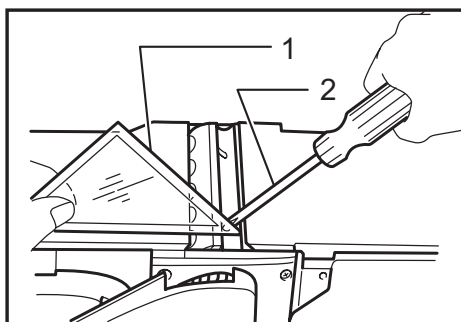


► 1. Vis de réglage 2. Fer de rabot 3. Entaille du fer 4. Contre-fer 5. Bloc de coupe

Il y a deux vis de réglage pour chaque fer. Lors de l'installation du fer, l'entaille du fer doit recouvrir parfaitement la tête de la vis de réglage. Alignez ensuite le contre-fer puis serrez légèrement les boulons de maintien.

Tournez le bloc de coupe jusqu'à ce que le bord du fer se trouve en plein milieu entre les semelles avant et arrière.

Placez la règle triangulaire à plat sur la semelle arrière puis appliquez-la sur toute la surface du bord du fer. Tournez les deux vis de réglage pour ajuster la partie saillante du fer. Le fer doit être placé de sorte que sa partie saillante soit uniforme sur toute sa longueur. La règle triangulaire doit donc être bien en contact avec le bord du fer sur toute sa largeur. Après avoir ajusté les deux fers, serrez de manière égale et alternée tous les boulons de maintien avec la clé.



► 1. Règle triangulaire 2. Tournevis

Après avoir serré les boulons, vissez les vis de réglage à fond.

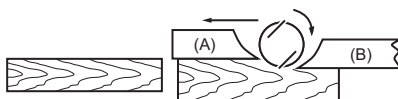
Pour une pose correcte des fers

La surface rabotée présentera des aspérités et ne sera pas plane si le fer n'est pas bien fixé. Il doit être monté de manière que le bord de coupe soit absolument de niveau, c'est à dire parallèle à la surface de la semelle arrière. Voir ci-dessous quelques exemples de poses correctes et incorrectes.

(A) Semelle avant (sabot movable)

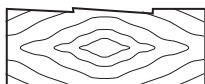
(B) Semelle arrière (sabot fixe)

Pose correcte



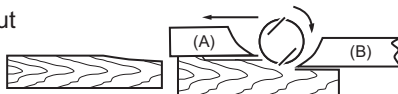
Bien que cette vue latérale ne le montre pas, les bords du fer B666 sont parfaitement parallèles à la surface de la semelle arrière.

Crantage à la surface



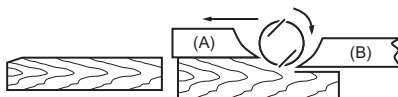
Cause: le bord d'un des fers ou des deux fers n'est pas parallèle à la ligne de la semelle arrière.

Gougeage au début



Cause: le bord d'un des fers ou des deux fers ne dépasse pas assez par rapport à la ligne de la semelle arrière.

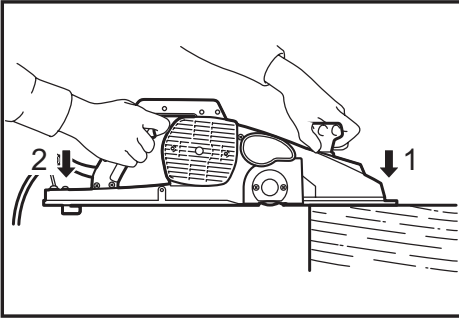
Gougeage à la fin



Cause: le bord d'un des fers ou des deux fers dépasse trop par rapport à la semelle arrière.

UTILISATION

Rabotage



► 1. Début 2. Fin

Tout d'abord, faites reposer la semelle avant de l'outil sur la pièce à travailler sans que les fers ne soient au contact. Mettez le contact et attendez que les fers aient atteint leur pleine vitesse. Déplacez ensuite doucement l'outil vers l'avant. Pressez sur l'avant de l'outil en début de rabotage, et sur l'arrière en fin de rabotage. Le rabotage se fera plus aisément si vous fixez la pièce à travailler de façon inclinée de manière à raboter de haut en bas.

La vitesse et la profondeur de rabotage déterminent la qualité du fini. Le rabot électrique coupe à une vitesse qui ne permet pas l'obturation par les copeaux. Pour le gros coupage, vous pouvez accroître la profondeur de rabotage, alors que pour un fini régulier, vous devez la réduire et faire avancer l'outil plus lentement.

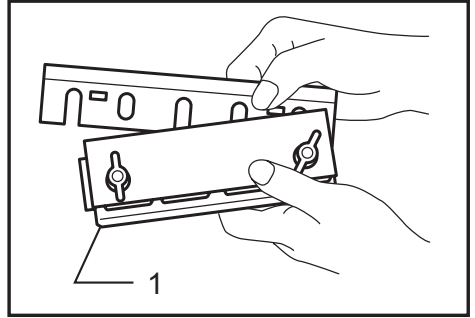
ENTRETIEN

ATTENTION :

- Assurez-vous toujours que l'outil est hors tension et débranché avant d'y effectuer tout travail d'inspection ou d'entretien.
- N'utilisez jamais d'essence, de benzine, de solvant, d'alcool ou d'autres produits similaires. Une décoloration, une déformation, ou la formation de fissures peuvent en découler.

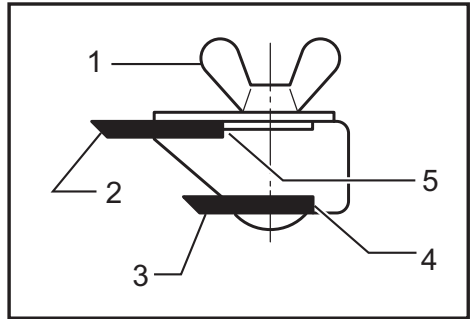
Affûtage des fers du rabot

Gardez toujours vos fers bien affûtés afin d'obtenir une efficacité maximum. Utilisez le porte-fer d'affûtage pour supprimer les crans et avoir le tranchant le plus fin.



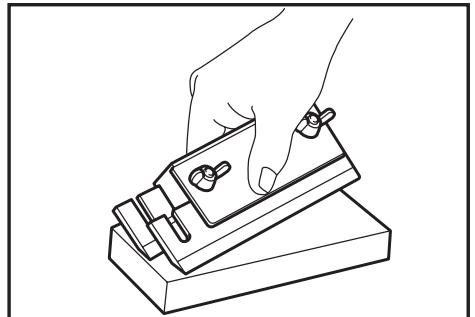
► 1. Support d'affûtage

Tout d'abord relâchez les deux écrous à oreilles du porte-fer et insérez les fers (A) et (B), de sorte qu'ils soient au contact des faces (C) et (D). Serrez ensuite les écrous.

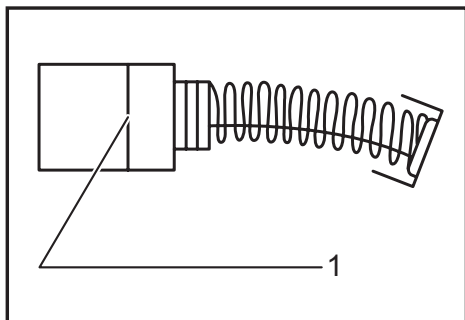


► 1. Écrou à oreilles 2. Rabot (A) 3. Rabot (B) 4. Côté (D) 5. Côté (C)

Immergez dans l'eau la pierre à aiguiser 2 ou 3 minutes avant d'affûter. Tenez le porte-fer de façon que les deux fers soient au contact de la pierre et que l'affûtage se fasse simultanément et selon le même angle.

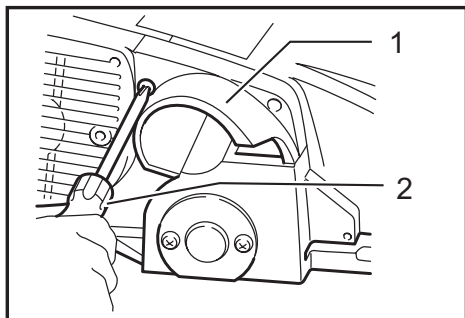


Remplacement des charbons



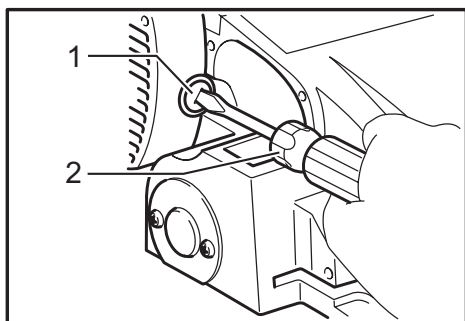
► 1. Trait de limite d'usure

Retirez et vérifiez régulièrement les charbons. Remplacez-les lorsqu'ils sont usés jusqu'au trait de limite d'usure. Maintenez les charbons propres et en état de glisser aisément dans les porte-charbon. Les deux charbons doivent être remplacés en même temps. N'utilisez que des charbons identiques. Utilisez un tournevis pour retirer le couvercle à copeaux.



► 1. Couvercle à copeaux ou raccord 2. Tournevis

Utilisez un tournevis pour retirer les bouchons de porte-charbon. Enlevez les charbons usés, insérez-en de nouveaux et revissez solidement les bouchons de porte-charbon.



► 1. Bouchon de porte-charbon 2. Tournevis

Pour maintenir la SÉCURITÉ et la FIABILITÉ du produit, les réparations, tout autre travail d'entretien ou de réglage doivent être effectués dans un centre de service Makita agréé ou un centre de service de l'usine Makita, exclusivement avec des pièces de rechange Makita.

ACCESSOIRES EN OPTION

⚠ ATTENTION :

- Ces accessoires ou pièces complémentaires sont recommandés pour l'utilisation avec l'outil Makita spécifié dans ce mode d'emploi. L'utilisation de tout autre accessoire ou pièce complémentaire peut comporter un risque de blessure. N'utilisez les accessoires ou pièces qu'aux fins auxquelles ils ont été conçus.

Si vous désirez obtenir plus de détails concernant ces accessoires, veuillez contacter le centre de service après-vente Makita le plus près.

- Fer de rabot en acier pour rabotage rapide
- Ensemble de porte-fer d'affûtage
- Ensemble de garde latéral (règle guide)
- Pierre à aiguiser
- Règle triangulaire
- Clé hexagonale
- Coffret de transport en bois

NOTE :

- Certains éléments de la liste peuvent être inclus avec l'outil comme accessoires standard. Ils peuvent varier suivant les pays.

GARANTIE LIMITÉE MAKITA

Pour les conditions de garantie en vigueur qui s'appliquent à ce produit, veuillez vous reporter à la feuille de garantie en annexe. Si la feuille de garantie en annexe n'est pas disponible, reportez-vous aux détails de la garantie présentés sur le site Web de votre pays, ci-dessous.

États-Unis d'Amérique: www.makitatools.com

Canada: www.makita.ca

Autres pays: www.makita.com

ESPECIFICACIONES

Modelo	1806B
Especificaciones eléctricas en México	120 V ~ 10,9 A 50/60 Hz
Ancho de cepillado	170 mm (6-3/4")
Profundidad de cepillado	2 mm (1/16")
Revoluciones por minuto (r.p.m.)	15 000 r/min
Longitud total	529 mm (20-3/4")
Peso neto	9,0 kg (19,8 lbs)

- Debido a nuestro programa continuo de investigación y desarrollo, las especificaciones aquí dadas están sujetas a cambios sin previo aviso.
- Las especificaciones pueden ser diferentes de país a país.
- Peso de acuerdo al procedimiento de EPTA-01/2003

Advertencias de seguridad generales para herramientas eléctricas

⚠ADVERTENCIA: lea todas las advertencias de seguridad e instrucciones. Si no sigue todas las advertencias e instrucciones indicadas a continuación, podrá ocasionar una descarga eléctrica, un incendio y/o lesiones graves.

Guarde todas las advertencias e instrucciones para su futura referencia.

El término "herramienta eléctrica" se refiere, en todas las advertencias que aparecen a continuación, a su herramienta eléctrica de funcionamiento con conexión a la red eléctrica (con cableado eléctrico) o herramienta eléctrica de funcionamiento a batería (inalámbrica).

Seguridad en el área de trabajo

1. **Mantenga el área de trabajo limpia y bien iluminada.** Las áreas oscuras o desordenadas son propensas a accidentes.
2. **No utilice las herramientas eléctricas en atmósferas explosivas, tal como en la presencia de líquidos, gases o polvo inflamables.** Las herramientas eléctricas crean chispas que pueden prender fuego al polvo o los humos.
3. **Mantenga a los niños y curiosos alejados mientras utiliza una herramienta eléctrica.** Las distracciones le pueden hacer perder el control.

Seguridad eléctrica

4. **Las clavijas de conexión de las herramientas eléctricas deberán encajar perfectamente en la toma de corriente. No modifique nunca la clavija de conexión de ninguna forma. No utilice ninguna clavija adaptadora con herramientas eléctricas que tengan conexión a tierra (puesta a tierra).** La utilización de clavijas no modificadas y que encajen perfectamente en la toma de corriente reducirá el riesgo de que se produzca una descarga eléctrica.
5. **Evite tocar con el cuerpo superficies conectadas a tierra o puestas a tierra tales como tubos, radiadores, cocinas y refrigeradores.** Si su cuerpo es puesto a tierra o conectado a tierra existirá un mayor riesgo de que sufra una descarga eléctrica.

6. **No exponga las herramientas eléctricas a la lluvia ni a condiciones húmedas.** La entrada de agua en una herramienta eléctrica aumentará el riesgo de que se produzca una descarga eléctrica.
7. **No jale el cable. Nunca utilice el cable para transportar, jalar o desconectar la herramienta eléctrica. Mantenga el cable alejado del calor, aceite, objetos cortantes o piezas móviles.** Los cables dañados o atrapados aumentan el riesgo de sufrir una descarga eléctrica.
8. **Cuando utilice una herramienta eléctrica en exteriores, utilice un cable de extensión apropiado para uso en exteriores.** La utilización de un cable apropiado para uso en exteriores reducirá el riesgo de que se produzca una descarga eléctrica.
9. **Si no es posible evitar usar una herramienta eléctrica en condiciones húmedas, utilice un alimentador protegido con interruptor de circuito de falla en tierra (ICFT).** El uso de un ICFT reduce el riesgo de descarga eléctrica.

Seguridad personal

10. **Manténgase alerta, preste atención a lo que está haciendo y utilice su sentido común cuando opere una herramienta eléctrica. No utilice la herramienta eléctrica cuando esté cansado o bajo la influencia de drogas, alcohol o medicamentos.** Un momento de distracción mientras opera la máquina puede dar como resultado heridas personales graves.
11. **Use equipo de protección personal. Póngase siempre protección para los ojos.** El equipo protector tal como máscara contra el polvo, zapatos de seguridad antiderrapantes, casco rígido y protección para oídos utilizado en las condiciones apropiadas reducirá las heridas personales.
12. **Impida el encendido accidental. Asegúrese de que el interruptor esté en la posición de apagado antes de conectar a la alimentación eléctrica y/o de colocar el cartucho de la batería, así como al levantar o cargar la herramienta.** Cargar las herramientas eléctricas con su dedo en el interruptor o conectarlas con el interruptor encendido hace que los accidentes sean propensos.

13. **Retire cualquier llave de ajuste o llave de apriete antes de encender la herramienta.** Una llave de ajuste o llave de apriete que haya sido dejada puesta en una parte giratoria de la herramienta eléctrica podrá resultar en heridas personales.
14. **No utilice la herramienta donde no alcance. Mantenga los pies sobre suelo firme y el equilibrio en todo momento.** Esto permite un mejor control de la herramienta eléctrica en situaciones inesperadas.
15. **Use vestimenta apropiada. No use ropas sueltas ni joyas. Mantenga el cabello, la ropa y los guantes alejados de las partes móviles, ya que pueden ser atrapadas por estas partes en movimiento.**
16. **Si dispone de dispositivos para la conexión de equipos de extracción y recolección de polvo, asegúrese de conectarlos y utilizarlos debidamente.** La utilización de estos dispositivos reduce los riesgos relacionados con el polvo.

Mantenimiento y uso de la herramienta eléctrica

17. **No fuerce la herramienta eléctrica. Utilice la herramienta eléctrica correcta para su aplicación.** La herramienta eléctrica adecuada hará un trabajo mejor a la velocidad para la que ha sido fabricada.
18. **No utilice la herramienta eléctrica si el interruptor no la enciende y apaga.** Cualquier herramienta eléctrica que no pueda ser controlada con el interruptor es peligrosa y debe ser reemplazada.
19. **Desconecte la clavija de la fuente de energía y/o la batería de la herramienta eléctrica antes de realizar ajustes, cambiar accesorios o guardar las herramientas eléctricas.** Dichas medidas de seguridad preventivas reducen el riesgo de que la herramienta se inicie accidentalmente.
20. **Guarde la herramienta eléctrica que no use fuera del alcance de los niños y no permita que las personas que no están familiarizadas con ella o con las instrucciones la operen.** Las herramientas eléctricas son peligrosas en manos de personas que no saben operarlas.

21. **Realice el mantenimiento a las herramientas eléctricas. Compruebe que no haya partes móviles desalineadas o estancadas, piezas rotas y cualquier otra condición que pueda afectar al funcionamiento de la herramienta eléctrica. Si la herramienta eléctrica está dañada, haga que se la reparen antes de utilizarla.** Muchos accidentes son ocasionados por herramientas eléctricas con un mal mantenimiento.
22. **Mantenga las herramientas de corte limpias y filosas.** Si recibe un mantenimiento adecuado y tiene los bordes afilados, es probable que la herramienta se atasque menos y sea más fácil controlarla.
23. **Utilice la herramienta eléctrica, así como accesorios, piezas, brocas, etc. de acuerdo con estas instrucciones y de la manera establecida para cada tipo de unidad en particular; tenga en cuenta las condiciones laborales y el trabajo a realizar.** Si utiliza la herramienta eléctrica para realizar operaciones distintas de las indicadas, podrá presentarse una situación peligrosa.

Servicio de mantenimiento

24. **Haga que una persona calificada repare la herramienta utilizando sólo piezas de repuesto idénticas.** Esto asegura que se mantenga la seguridad de la herramienta eléctrica.
25. **Siga las instrucciones para la lubricación y cambio de accesorios.**
26. **Mantenga las agarraderas secas, limpias y sin aceite o grasa.**

UTILICE CABLES DE EXTENSIÓN APROPIADOS. Asegúrese de que su cable de extensión esté en buenas condiciones. Cuando utilice un cable de extensión, asegúrese de utilizar uno del calibre suficiente para conducir la corriente que demande el producto. Un cable de calibre inferior ocasionará una caída en la tensión de línea y a su vez en una pérdida de potencia y sobrecalentamiento. La Tabla 1 muestra la medida correcta a utilizar dependiendo de la longitud del cable y el amperaje nominal indicado en la placa de características. Si no está seguro, utilice el siguiente calibre más alto. Cuanto menor sea el número de calibre, más corriente podrá conducir el cable.

Tabla 1. Calibre mínimo para el cable

Amperaje nominal		Volts	Longitud total del cable en metros			
		120V~	7,6 m (25 ft)	15,2 m (50 ft)	30,4 m (100 ft)	45,7 m (150 ft)
		220V~ - 240V~	15,2 m (50 ft)	30,4 m (100 ft)	60,8 m (200 ft)	91,2 m (300 ft)
Más de	No más de	Calibre del cable (AWG)				
0 A	6 A	/	18	16	16	14
6 A	10 A		18	16	14	12
10 A	12 A		16	16	14	12
12 A	16 A		14	12	No se recomienda	

ADVERTENCIAS DE SEGURIDAD DEL CEPILLO ELÉCTRICO

1. Espere a que la pieza cortadora pare antes de colocar la herramienta en el suelo. Exponer una pieza cortadora mientras se encuentra girando puede que se enganche con la superficie resultando en posible pérdida del control, así como en graves lesiones.
2. Sujete la herramienta motorizada sólo a través de las superficies de empuñadura recubiertas con aislamiento, ya que puede que haya contacto de la cuchilla con su propio cable eléctrico. Puede que al cortar un cable con corriente, las piezas metálicas expuestas de la herramienta se electrifiquen provocando que el operario reciba una descarga.
3. Utilice abrazaderas o algún otro modo práctico para asegurar y sujetar la pieza de trabajo a una plataforma estable. Sostener la pieza de trabajo con la mano o contra su cuerpo produce inestabilidad y una posible pérdida de control.
4. Nunca se deben dejar trapos, paños, cuerdas o cordeles en el área de trabajo.
5. Evite cortar clavos. Inspeccione y quite todos los clavos de la pieza de trabajo antes de la operación.
6. Utilice sólo cuchillas de corte afiladas. Manipule las cuchillas con mucho cuidado.
7. Asegúrese de que los pernos de instalación del disco estén firmemente ajustados antes de utilizar la herramienta.
8. Sujete la herramienta firmemente con ambas manos.
9. Mantenga las manos alejadas de las piezas giratorias.
10. Antes de utilizar la herramienta en una pieza de trabajo definitiva, déjala funcionar durante un rato. Observe para ver si hay vibración o bamboleo que pueda indicar una incorrecta instalación o un desequilibrio de las cuchillas.
11. Asegúrese de que las cuchillas no estén haciendo contacto con la pieza de trabajo antes de activar el interruptor.
12. Espere hasta que las cuchillas alcancen plena velocidad antes de cortar.
13. Siempre apague la herramienta y espere a que las cuchillas de corte se detengan por completo antes de realizar un ajuste.
14. Nunca pase el dedo por el canal de absorción de virutas. Al cortar madera húmeda, se pueden atorar partículas en este canal. Limpie las virutas con un palillo.
15. No deje la herramienta en marcha. Tenga en marcha la herramienta solamente cuando la tenga en la mano.
16. Siempre cambie ambas hojas o cubiertas sobre el tambor, o de lo contrario el desequilibrio resultante ocasionará vibraciones que acortarán la vida útil de la herramienta.
17. Utilice sólo las hojas (cuchillas de corte) Makita especificadas en este manual.



18. Siempre utilice el respirador/máscara indicado para protegerse del polvo que corresponda con la aplicación o material con el que trabaje.

GUARDE ESTAS INSTRUCCIONES.

⚠ ADVERTENCIA: NO DEJE que la comodidad o familiaridad con el producto (a base de utilizarlo repetidamente) sustituya la estricta observancia de las normas de seguridad para dicho producto. **El MAL USO o el no seguir las normas de seguridad establecidas en este manual de instrucciones puede ocasionar graves lesiones personales.**

Símbolos

A continuación se muestran los símbolos utilizados para la herramienta.

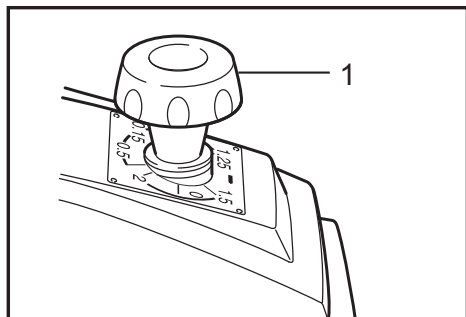
V	volts o voltios
A	amperes
Hz	hertz
	corriente alterna
n.	velocidad en vacío o sin carga
	Construcción clase II
... /min r /min	revoluciones o alternaciones por minuto, frecuencia de rotación

DESCRIPCIÓN DEL FUNCIONAMIENTO

⚠️ PRECAUCIÓN:

- Asegúrese siempre de que la herramienta esté apagada y desconectada antes de ajustar o comprobar cualquier función en la misma.

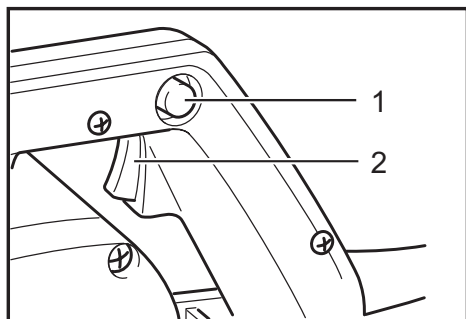
Ajuste de la profundidad de corte



► 1. Perilla

La profundidad de corte se puede ajustar simplemente girando la perilla regulador que se encuentra en la parte frontal de la herramienta.

Accionamiento del interruptor



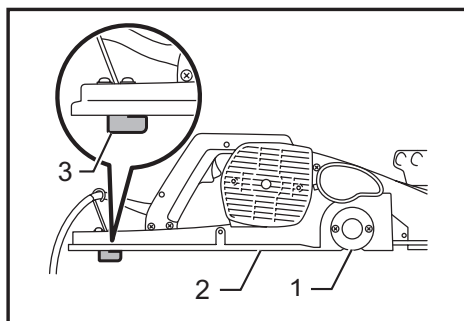
► 1. Botón de bloqueo 2. Gatillo interruptor

⚠️ PRECAUCIÓN:

- Antes de conectar la herramienta, compruebe siempre que el gatillo interruptor se acciona debidamente y que vuelve a la posición "OFF" (apagado) cuando lo suelta.
- El interruptor puede ser bloqueado en la posición "ON" (encendido) para mayor comodidad del operario durante una utilización prolongada. Tenga precaución cuando bloquee la herramienta en la posición "ON" (encendido) y sujete la herramienta firmemente.

Para encender la herramienta, simplemente jale el gatillo interruptor. Suéltelo para apagar la herramienta. Para operarla en forma continua, jale el gatillo y luego presione el botón de bloqueo. Para destrabar la herramienta, jale el gatillo por completo y luego suéltelo.

Pie



► 1. Cuchilla del cepillo 2. Base posterior 3. Pie

Después de la operación de corte, eleve la parte trasera de la herramienta y una pata sale por debajo del nivel del soporte posterior. Este previene que las cuchillas de la herramienta se dañen.

ENSAMBLE

⚠️ PRECAUCIÓN:

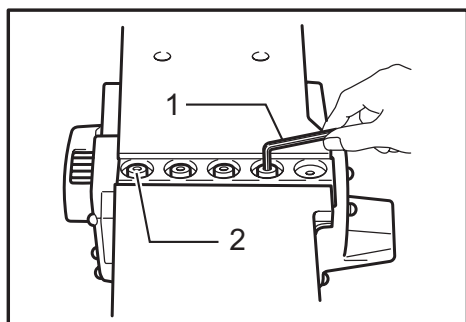
- Asegúrese siempre de que la herramienta esté apagada y desconectada antes de realizar cualquier trabajo en la misma.

Cómo quitar o instalar las cuchillas del cepillo

⚠️ PRECAUCIÓN:

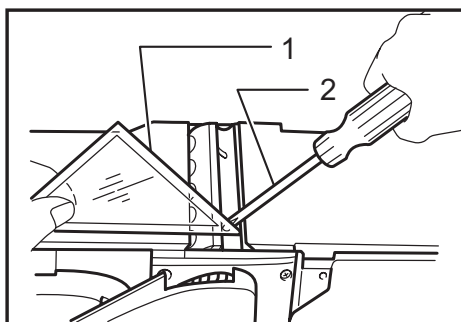
- Ajuste cuidadosamente los pernos de instalación cuando coloque las cuchillas en la herramienta. Un perno de instalación flojo puede ser peligroso. Siempre verifique que estén firmemente ajustados.
- Manipule las cuchillas con mucho cuidado. Utilice guantes o un trapo para proteger sus dedos y manos cuando quite o instale las cuchillas.
- Utilice sólo la llave Makita provista para quitar o instalar las cuchillas. Si no lo hace de este modo, los pernos de instalación podrían quedar excesiva o insuficientemente apretados, lo cual podría ocasionar lesiones.

Para quitar las cuchillas del tambor, desatornille los cinco tornillos de instalación con la llave hexagonal. La cubierta del tambor sale junto con las cuchillas



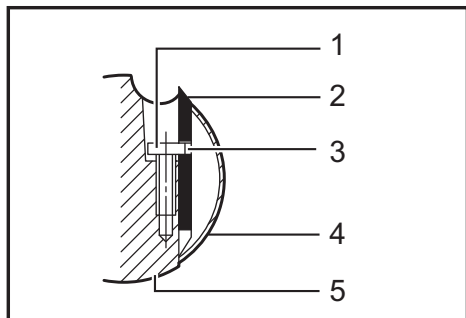
► 1. Llave hexagonal 2. Tornillo

Para instalar las cuchillas, primero limpie todas las virutas o partículas extrañas adheridas al tambor o a las cuchillas. Utilice cuchillas de las mismas dimensiones y peso, o de lo contrario se producirán oscilaciones/vibraciones que causarán el funcionamiento deficiente y, eventualmente, la rotura de la herramienta.



► 1. Escuadra 2. Destornillador

Después de apretar los tornillos, asegure completamente los tornillos de ajuste.



► 1. Tornillo de ajuste 2. Cuchilla del cepillo
3. Muesca en la cuchilla 4. Cubierta del tambor
5. Tambor

Hay dos tornillos de ajuste para cada cuchilla. Al instalar la cuchilla, la muesca en la cuchilla debe quedar sobre la cabeza del tornillo de ajuste. Entonces colóquela en la cubierta del tambor y asegure todos los tornillos de instalación sólo con la fuerza de los dedos de la mano.

Gire el tambor hasta que la orilla de la cuchilla esté justo a la mitad entre los soportes del frente y posterior. Coloque la regla triangular de manera plana sobre el soporte posterior y llévela por encima y a lo largo del filo de la cuchilla. Gire los dos tornillos de ajuste para ajustar la protuberancia de la cuchilla. El ajuste de la cuchilla se debe hacer de modo que la protuberancia sea uniforme a todo lo largo. De este modo, la regla triangular debe estar al ras a todo lo largo del filo de la cuchilla. Después de ajustar ambas cuchillas, apriete uniforme y alternadamente con la llave todos los tornillos de instalación.

Colocación correcta de la cuchilla del cepillo

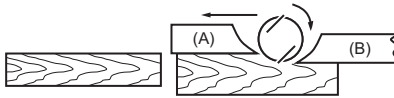
Si la cuchilla no está correctamente posicionada y asegurada, la superficie de cepillado quedará áspera y dispareja. La cuchilla deberá ser montada de modo tal que el filo esté perfectamente nivelado, esto es, paralelo a la superficie de la base trasera.

A continuación se muestran ejemplos de colocación correcta e incorrecta.

(A) Base frontal (zapata móvil)

(B) Base trasera (zapata estacionaria)

Ajuste correcto



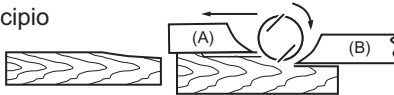
Aun cuando esta vista lateral no deje verlo, los bordes de las cuchillas corren perfectamente paralelos a la superficie de la base trasera.

Superficie con muescas



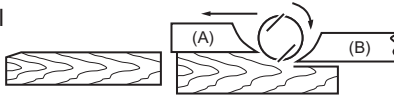
Causa: Una o ambas cuchillas no tiene el borde paralelo a la línea de la base trasera.

Escopleado al principio



Causa: Uno o ambos bordes de la cuchilla no sobresale suficientemente en relación a la línea de la base trasera.

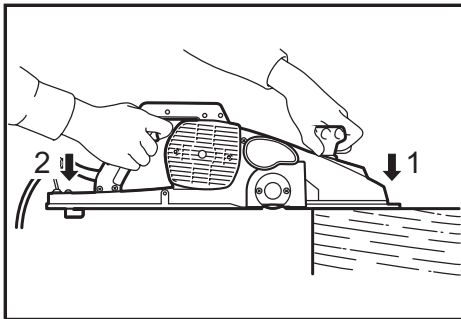
Escopleado al final



Causa: Uno o ambos bordes de la cuchilla sobresale demasiado en relación a la base trasera.

OPERACIÓN

Cepillado



► 1. Inicio 2. Fin

Primero, apoye la cara frontal de la herramienta sobre la superficie de la pieza sin que las cuchillas la toquen. Encienda la herramienta y espere hasta que alcance la velocidad máxima. Luego mueva suavemente la herramienta hacia adelante. Aplique presión sobre la parte frontal de la herramienta al comienzo de la zona de cepillado, y luego sobre la parte trasera al final de la zona de cepillado. La operación será más fácil si inclina la pieza y luego ésta queda fija, de manera tal que la cepille en forma descendente.

La velocidad y profundidad del corte determinan el tipo de acabado. La herramienta mantiene una velocidad de cepillado tal que no permite que las virutas se atasquen. Para un cepillado áspero, la profundidad del corte se puede incrementar, mientras que para lograr un buen acabado, debe reducir la profundidad y avanzar más lentamente.

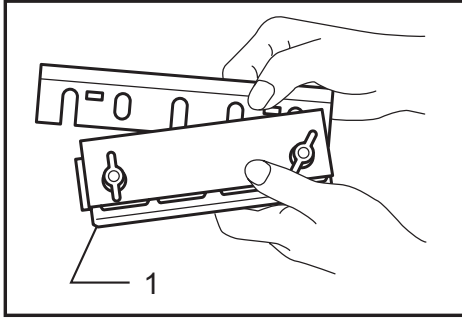
MANTENIMIENTO

PRECAUCIÓN:

- Asegúrese siempre que la herramienta esté apagada y desconectada antes de intentar realizar una inspección o mantenimiento.
- Nunca use gasolina, bencina, diluyente (tíner), alcohol o sustancias similares. Puede que esto ocasione grietas o descoloramiento.

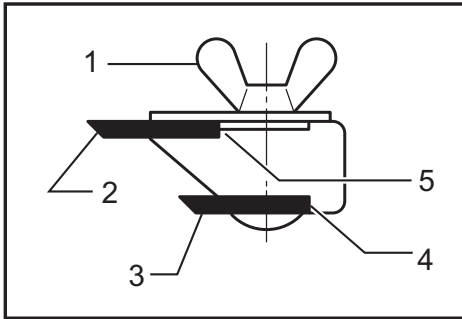
Cómo afilar las cuchillas del cepillo

Para los mejores resultados posibles siempre mantenga sus cuchillas afiladas. Utilice el soporte para afilar para quitar mellas y producir un filo superior.



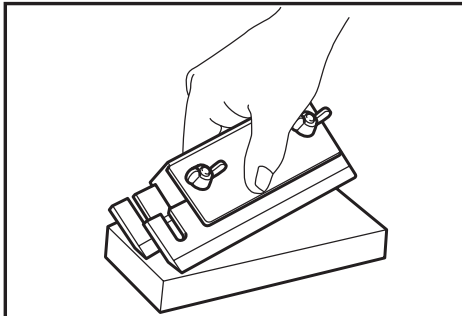
► 1. Soporte para afilado

Primero, afloje las dos arandelas mariposa del soporte y coloque las hojas (A) y (B), de manera que hagan contacto con las caras (C) y (D). Luego ajuste las arandelas mariposa.

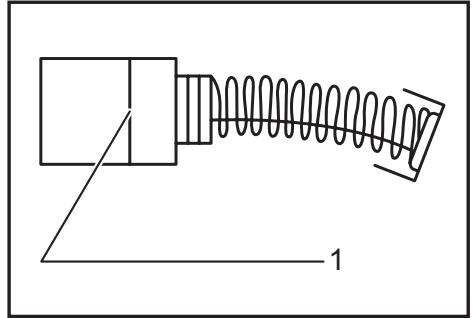


► 1. Tuerca de mariposa 2. Cuchilla (A) 3. Cuchilla (B) 4. Lateral (D) 5. Lateral (C)

Sumerja en agua la piedra rectificadora durante 2 ó 3 minutos antes del afilado. Sostenga el soporte de manera que ambas cuchillas hagan contacto con la piedra rectificadora para que se afilen en forma simultánea y en el mismo ángulo.

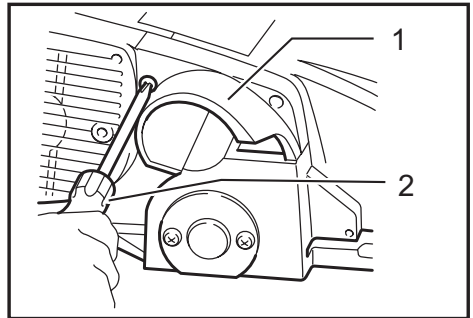


Reemplazamiento de las escobillas de carbón



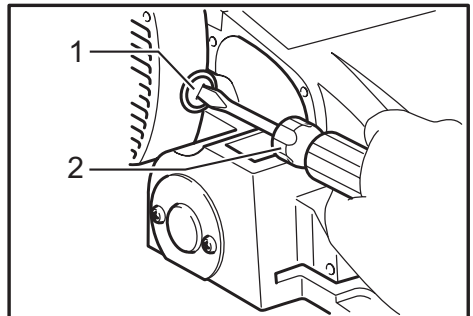
► 1. Marca límite

Extraiga e inspeccione de forma periódica las escobillas de carbón. Sustitúyalas cuando se hayan gastado hasta la marca límite. Mantenga las escobillas de carbón limpias de forma que entren libremente en los portaescobillas. Ambas escobillas de carbón deberán ser sustituidas al mismo tiempo. Utilice únicamente escobillas de carbón originales e idénticas. Utilice un destornillador para quitar el protector contra virutas.



► 1. Cubierta para astillas o boquilla 2. Destornillador

Utilice un destornillador para quitar Tapa del carbón. Extraiga las escobillas gastadas, inserte las nuevas y vuelva a colocar las tapas.



► 1. Tapa del carbón 2. Destornillador

Para mantener la SEGURIDAD y FIABILIDAD del producto, las reparaciones, y cualquier otra tarea de mantenimiento o ajuste deberán ser realizadas en Centros de Servicio Autorizados por Makita, empleando siempre repuestos Makita.

ACCESORIOS OPCIONALES

⚠PRECAUCIÓN:

- Estos accesorios o aditamentos (incluidos o no) están recomendados para utilizar con su herramienta Makita especificada en este manual. El empleo de cualesquiera otros accesorios o acoplamientos conllevará un riesgo de sufrir heridas personales. Utilice los accesorios o acoplamientos solamente para su fin establecido.

Si necesita cualquier ayuda para más detalles en relación con estos accesorios, pregunte a su centro de servicio Makita local.

- Cuchilla para cepillo de alta velocidad
- Montaje del soporte para afilado
- Juego de guía de orilla (regla de guía)
- Piedra rectificadora
- Regla triangular
- Llave hexagonal
- Maletín de transporte de madera

NOTA:

- Algunos de los artículos en la lista puede que vengan junto con el paquete de la herramienta como accesorios incluidos. Puede que estos accesorios varíen de país a país.

GARANTÍA LIMITADA DE MAKITA

Ésta Garantía no aplica para México

Consulte la hoja de la garantía anexa para ver los términos más vigentes de la garantía aplicable a este producto. En caso de no disponer de esta hoja de garantía anexa, consulte los detalles sobre la garantía descritos en el sitio web de su país respectivo indicado a continuación.

Estados Unidos de América: www.makitatools.com

Canadá: www.makita.ca

Otros países: www.makita.com

< USA only >

WARNING

Some dust created by power sanding, sawing, grinding, drilling, and other construction activities contains chemicals known to the State of California to cause cancer, birth defects or other reproductive harm. Some examples of these chemicals are:

- lead from lead-based paints,
- crystalline silica from bricks and cement and other masonry products, and
- arsenic and chromium from chemically-treated lumber.

Your risk from these exposures varies, depending on how often you do this type of work. To reduce your exposure to these chemicals: work in a well ventilated area, and work with approved safety equipment, such as those dust masks that are specially designed to filter out microscopic particles.

< Sólo en los Estados Unidos >

ADVERTENCIA

Algunos polvos creados por el lijado, aserrado, esmerilado, taladrado y otras actividades de la construcción contienen sustancias químicas reconocidas por el Estado de California como causantes de cáncer, defectos de nacimiento y otros peligros de reproducción. Algunos ejemplos de estos productos químicos son:

- plomo de pinturas a base de plomo,
- sílice cristalino de ladrillos y cemento y otros productos de albañilería, y
- arsénico y cromo de maderas tratadas químicamente.

El riesgo al que se expone varía, dependiendo de la frecuencia con la que realice este tipo de trabajo. Para reducir la exposición a estos productos químicos: trabaje en un área bien ventilada y póngase el equipo de seguridad indicado, tal como las máscaras contra polvo que están especialmente diseñadas para filtrar partículas microscópicas.

Makita Corporation

3-11-8, Sumiyoshi-cho,
Anjo, Aichi 446-8502 Japan

www.makita.com

883347C942
EN, FRCA, ESMX
20190705